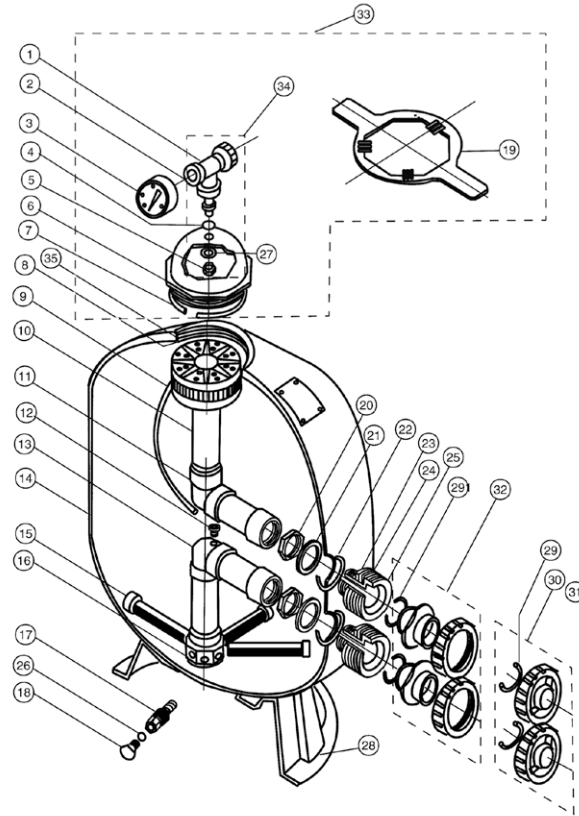


TRITON® II FILTERS

REPLACEMENT PARTS FOR FIBERGLASS FILTERS



Item	Part No.	Description
TRITON II SAND FILTERS		
1	154689	Air bleeder/tee assembly ¹³
2	154700	Adapter, brass air bleeder ¹³
3	190059	Gauge, back mount pressure ¹³
4	154661	O-ring, air bleeder adapter ¹³
5	154664	Nut, 3/8 in., 16 SS ¹³
6	154570	Closure 6 in. btr. thread, see Detail A ¹³
7	154493	O-ring closure, 6 in., white ¹³
8	150035	Strainer air relief, 3/8 in. ⁴
9	150041	Tube air relief TR100 ⁴
9	150042	Tube air relief TR140 ⁴
10	154462	Diffuser assembly TR100
10	154906	Diffuser assembly TR140
11	154426	Piping assembly upper TR100
11	154500	Piping assembly upper TR140
12	150036	Connector air relief tube ⁴
13	154807	Piping assembly lower TR/PF100
13	154489	Piping assembly lower TR140
14	Not Avail.	Tank & ft. assembly
15	152202	Lateral, 9-1/8 in. L TR100, 8 req. ⁶
15	154540	Lateral, 12 in. L TR140, 8 req.
16	154453	Hub lateral TR100/140
17	Not Avail.	Spigot, 3/4 in. NPT sand drain ⁸

Item	Part No.	Description
18	154481	Plug, 1/4 in. drain plug, black
19	Not Avail.	Wrench, 6 in. closure ¹³
20	154412	Locknut, 2 in. internal, 2 req.
21	154416	Spacer, 2 in. internal, 2 req.
22	154492	O-ring, 2 in. bulkhead, 2 req.
23	154408	Spacer, 2 in. external, 2 req.
24	154538	Gasket, 2 in. bulkhead, 2 req.
25	154405	Bulkhead, 2 in., 2 req.
26	Not Avail.	O-ring drain plug ⁸
27	154418	Washer, 3/8 in. SS ¹³
28	154596	Foot, 24 in. dia., TR100/140 ^{2,11}
29	274494	O-ring valve adptr., 2 req.
30	271092	2 in. Thread adapter. kit ⁹
31	271094	1-1/2 in. Thread adapter. kit ⁹
32	271096	1-1/2 in. & 2 in. Slip adapter. kit ⁹
33	154856	Kit closure, 8-1/2 in. btr. thread, black ^{10, 13}
34	154687	Fitting package complete ^{12, 13}
35	154613	Spacer air vent strainer, 5-1/2 in., TR100
35	154614	Spacer air vent strainer, 5 in., TR140
NOT SHOWN		
	154407	Tape ft. mounting TR100/140, 3 req.
	151608	Aluminum wrench, 8-1/2 in.
	152220	Sand drain, 2 in. (used on TR100 and TR140) [Left-hand thread]
	154871	Cap thd., 1-1/2 in.
	274494	Sand drain O-ring TA100 (used on TR100 and [TR140])