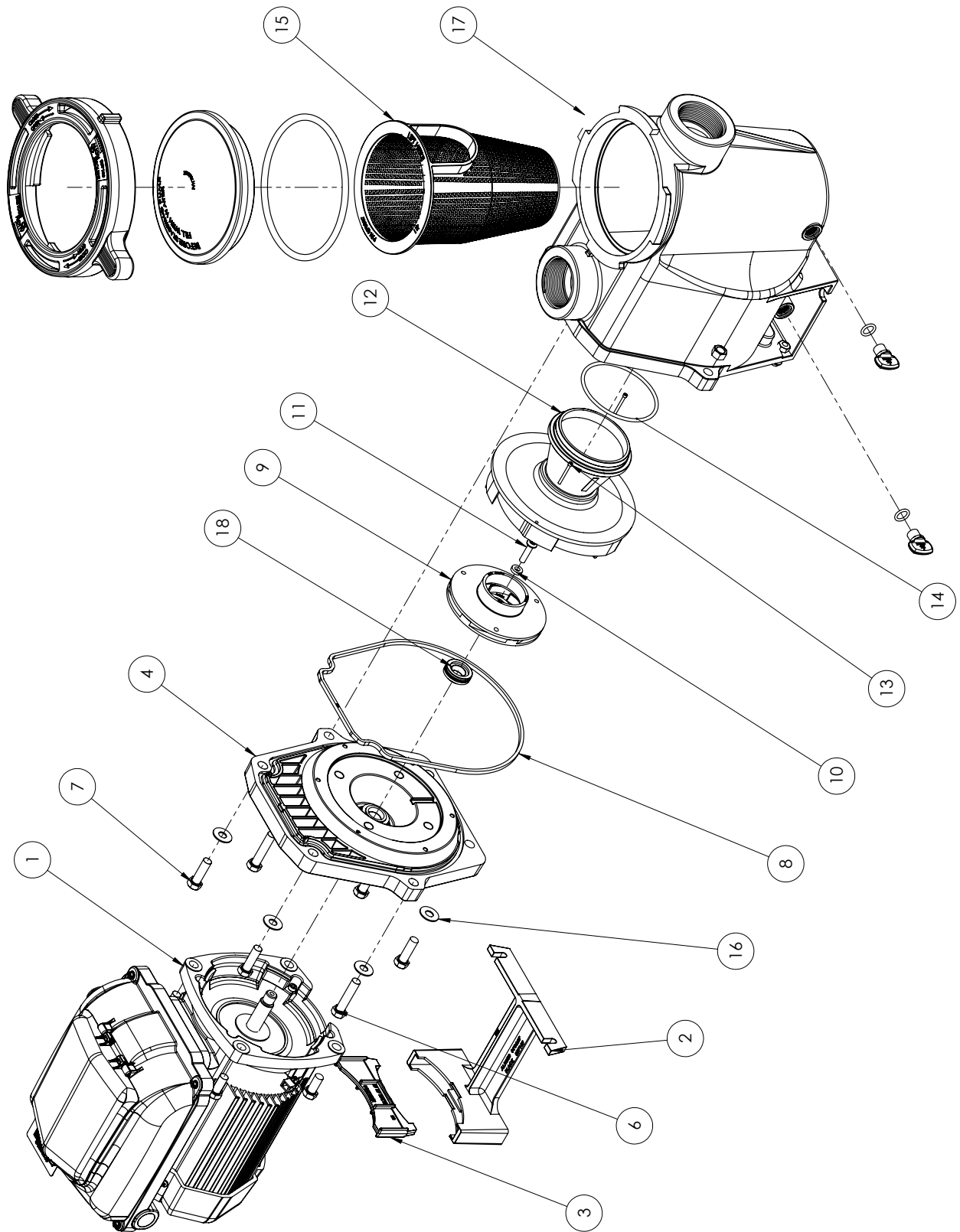


## SPARE PARTS

---

Item No.	Part Number	Description
1	359541	Pump Casing Assembly (incl. lid, basket & o-ring)
2	See Foot Kit	Motor Foot
3	See Foot Kit	Foot insert
	357159K	Foot Kit
4	350203K	Seal Plate (incl mech seal)
5	801202	Motor Fasteners Kit
6	See Pump Fasteners Kit	Bolt 3/8"
7	See Foot Kit	Bolt 1/4"
8	357100	Gasket Seal Plate
9	073128K	Impeller
10	See Impeller Kit	Impeller Washer
11	See Impeller Kit	Impeller LH Screw
12	072927K	Diffuser Kit
13	See Diffuser Kit	Diffuser Screw
14	See Diffuser Kit	O-Ring Diffuser
15	357161	Drain Plug
16	See Pump Fasteners Kit	Washer 3/8"
17	See Pump Fasteners Kit	Nut 3/8"
18	071734S	Mechanical Seal
19	405708	Motor
Not Shown	357150K	Pump Lid
Not Shown	070387	Pump Basket

# SPARE PARTS



## SPARE PARTS

Item No.	Part Number	Description
1	800048	Motor & Drive Assembly
2	357159K	Motor Foot Kit
3	-	Motor Foot Insert (see foot kit)
4	350203K	Seal Plate and Mechanical Seal Kit
6	801291	Pump Fasteners Kit
7	-	Screw pump casing (see pump fasteners kit)
8	357100	Gasket seal plate
9	073130K	Impeller Kit
10	-	Impeller screw gasket (see impeller kit)
11	-	Impeller LH screw (see impeller kit)
12	072927K	Diffuser
13	-	Diffuser screw (see diffuser kit)
14	-	O-ring diffuser (see diffuser kit)
15	070387	Basket
16	-	Washer (see pump fasteners kit)
17	359541	Pump casing assembly
18	071734S	Mechanical seal
<b>Not Shown</b>		
	800050	Motor Bearing Kit
	800053	Fan Cover
	800051	Fan Kit
	800049	Keypad Cover
	800046	Top cover kit
	800047	VS Drive Kit

### Supply Cord

If the supply cord is damaged, it must be replaced by the manufacturer (Pentair), its service agent or similarly qualified person in order to avoid a hazard.