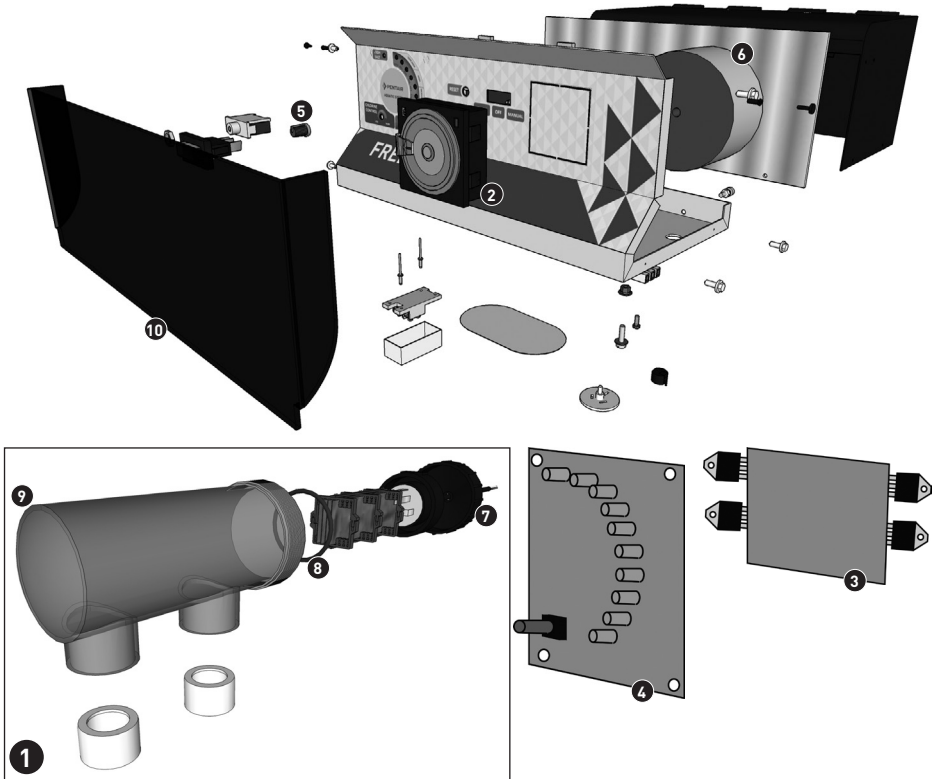


SPARE PARTS



| No. | Part No. | Qty. | Description |
|-----|----------|------|----------------------|
| 1 | 801933 | | Replacement Cell 15g |
| 1 | 801934 | | Replacement Cell 25g |
| 1 | 801935 | | Replacement Cell 35g |
| 2 | 801936 | | Time Clock |
| 3 | 801937 | | Power PCB Kit |
| 4 | 801938 | | Control PCB Kit |
| 5 | 801939 | | Control PCB Knob |
| 6 | 801940 | | Transformer |
| 7 | 801941 | | Cell Lock Nut |
| 8 | 801942 | | O-ring Cell Union |
| 9 | 801943 | | Cell Casing |
| 10 | 801944 | | Perspex Cover |