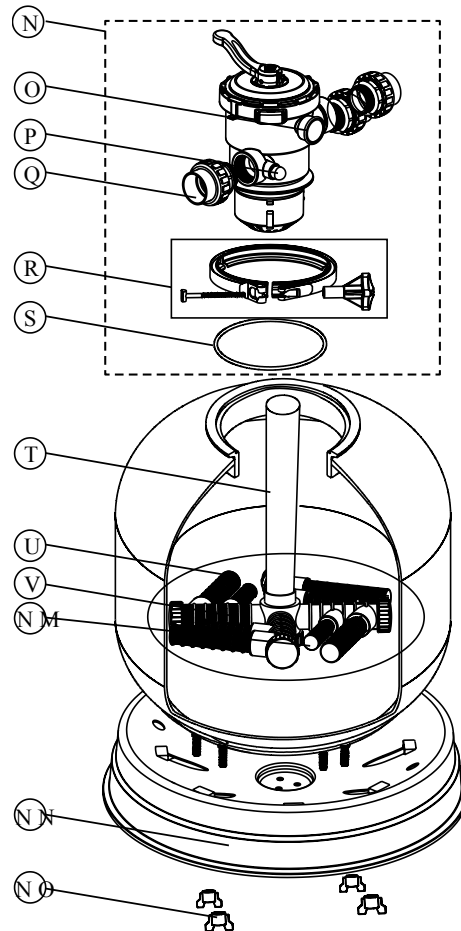
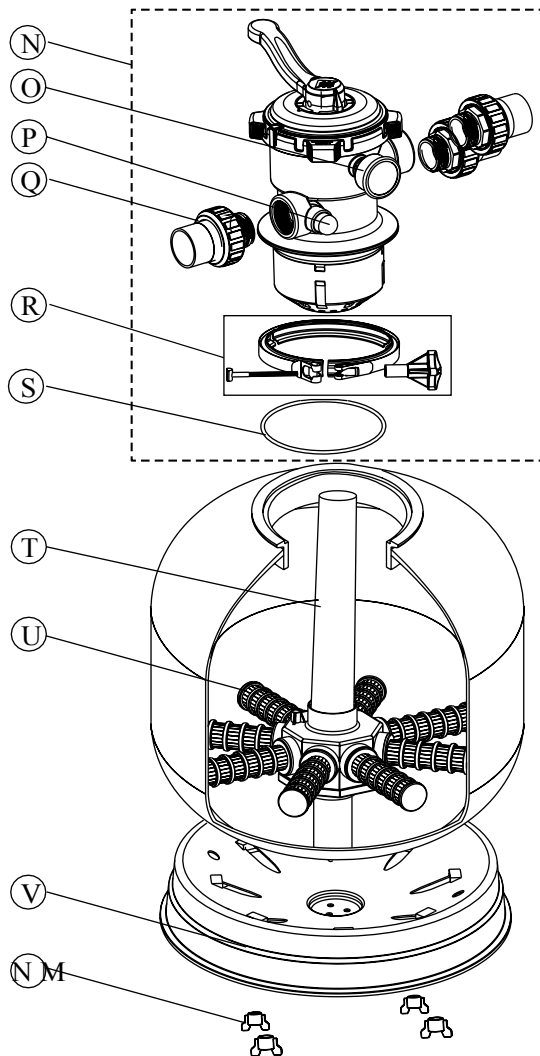


LEISURETIME II FIBREGLASS SAND FILTERS

REPLACEMENT PARTS

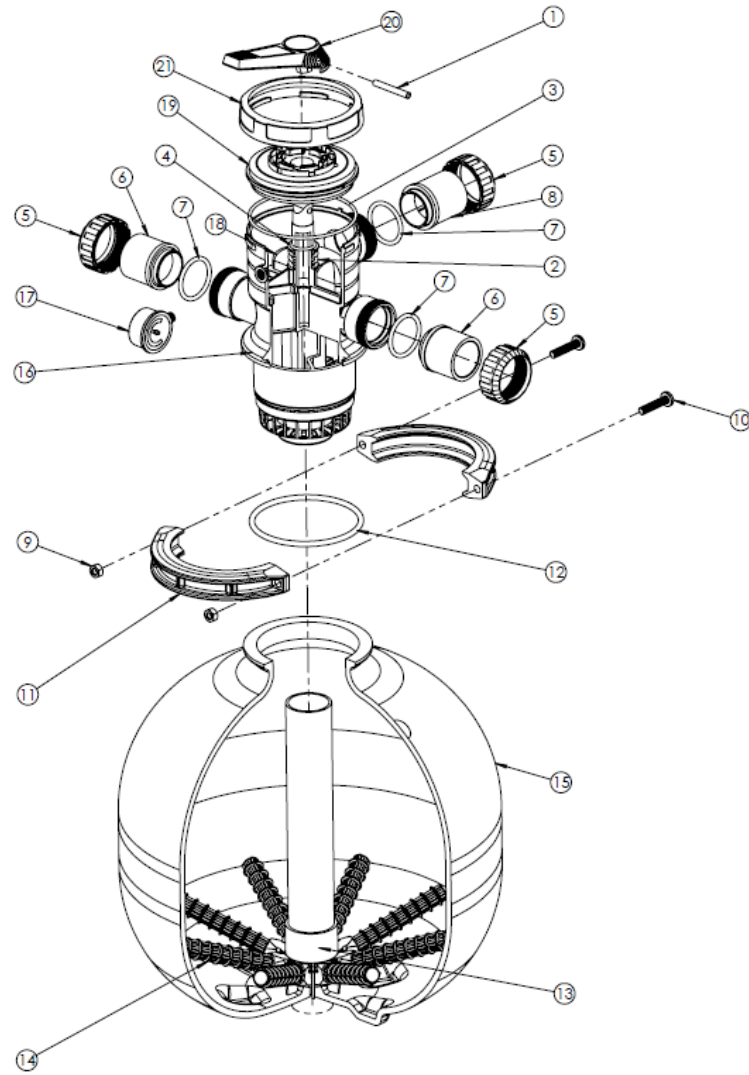


Item	Part No.	Description
LSFII-21-40 & LSFII-25-40		
1	88281505F	1.5" Clamp Type Multiport Valve
2	89280705	Pressure gauge Assembly
3	89280104	Sight glass assembly
4	89280109	1.5" Union (3 Required)
5	89010126	Stainless Steel Clamp Assembly
6	02011134	O-Ring for Filter Neck
7	89010122	LSFII-21-40 Standpipe with hub
7	89010123	LSFII-25-40 Standpipe with hub
8	01172008	Laterals (126mm) (8 required)
9	01112074	LSFII-21-40/LSFII-25-40 Filter Base
10	01181052	Fastener for Filter Base (4 Required)

Item	Part No.	Description
LSFII-25-50 & LSFII-28-50		
1	88281506F	2" Top Mount Valve
2	89280705	Pressure gauge Assembly
3	89280104	Sight glass assembly
4	89280110	2" Union (3 required)
5	89010126	Stainless Steel Clamp Assembly
6	02011134	O-Ring for Filter Neck
7	89010124	LSFII-25-50 Standpipe with Hub
7	89010125	LSFII-28-50 Standpipe with Hub
8	01172010	Laterals (185mm) (4 required)
9	89012516	Laterals bracket (4 required)
10	01172007	Laterals (115mm) (4 required)
11	01112074	LSFII-25-50/LSFII-28-50 Filter Base
12	01181052	Fastener for Filter Base (4 Required)

LEISURETIME MOULDED SAND FILTERS

ORIGINAL MODEL REPLACEMENT PARTS



Item	Description	Part No.
LEISURETIME SAND FILTERS		
1	PIN - VALVE HANDLE	135857-0021
2	SPRING - BACKWASH VALVE	14965-0006
3	O'RING - BACKWASH VALVE	5306400
4	O'RING - BACKWASH VALVE ROTOR	702259
5	NUT-BARREL UNION	1146300
6	TAIL-BARREL UNION	1146200
7	O-RING-BARREL UNION	1677200
8	TAIL CLEAR-BARREL UNION	1146500
9	NUT 3/8inW HEX BRASS	6123725
10	SCREW 2in x 3/8inW CH PR MTS SS	6123726
11	CLAMP HALF	5306108
12	O'RING - VALVE TO TANK	5306300
	CENTRE TUBE ASSY. (INCLUDES 13 &14) LSF20	5308450

Item	Description	Part No.
	CENTRE TUBE ASSY.(INCLUDES 13 &14) LSF24	5308400
13	HUB - UNDERDRAIN	5184700
14	LATERAL LSF20	518440
14	LATERAL LSF24	5184600
15	TANK ASSEMBLY LSF20	5308300
15	TANK ASSEMBLY LSF24	5308200
16	BACKWASH VALVE BODY	5179300
17	PRESSURE GAUGE	705939
18	ROTOR & GASKET - BACKWASH	5183290
19	VALVE CAP	5183600
20	VALVE HANDLE	14962-0032
21	VALVE TOP RING	5184000
22	BACKWASH VALVE COMPLETE	5304600
	DECAL (NOT SHOWN)	607490

MULTIPOINT 1-1/2" VALVES (88281505F)

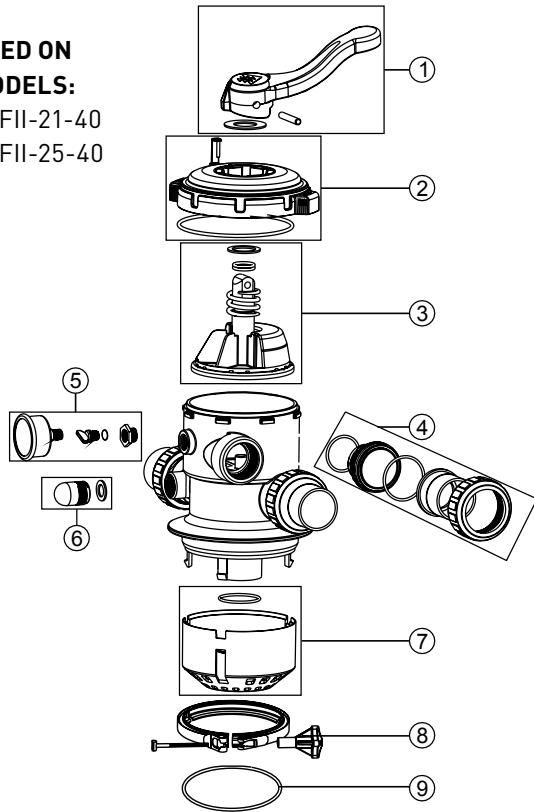
REPLACEMENT PARTS FOR LEISURETIME II MPV'S

USED ON

MODELS:

LSFII-21-40

LSFII-25-40



Item	Part No.	Description
MULTIPOINT 1-1/2 IN. VALVE		
1	89280702	MPV Handle Assembly
2	89280703	Lid Assembly 1-1/2" MPV
3	89280704	Seal Rotor and Gasket Kit 1-1/2" MPV
4	89280109	1-1/2" UNION
5	89280705	Pressure gauge Assembly
6	89280104	Sight glass assembly
7	89280706	Diffuser Assembly 1-1/2"
8	89010126	Stainless Steel Clamp Assembly
9	02011134	O-Ring for Filter Neck

MULTIPOINT 2" VALVES (88281506F)

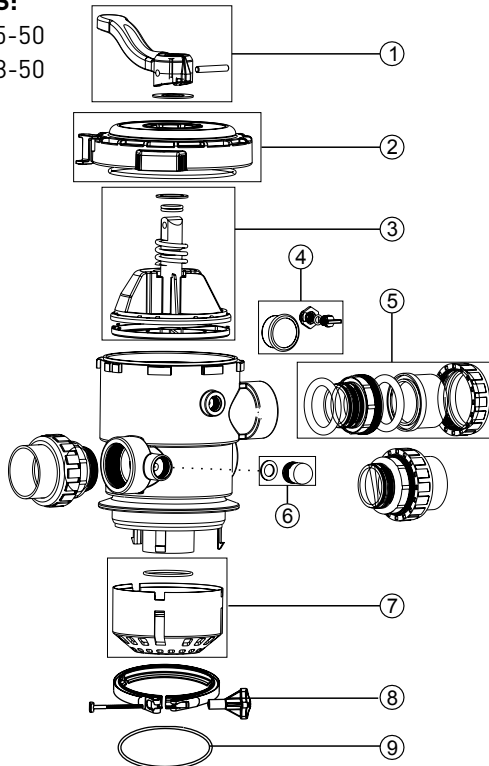
REPLACEMENT PARTS FOR LEISURETIME II MPV'S

USED ON

MODELS:

LSFII-25-50

LSFII-28-50



Item	Part No.	Description
MULTIPOINT 2 IN. VALVE		
1	9280702	MPV Handle Assembly
2	9280809	Lid Assembly 2" MPV
3	9280810	Seal Rotor and Gasket Kit 2" MPV
4	9280705	Pressure gauge Assembly
5	9280110	2" UNION
6	9280104	Sight glass assembly
7	9280811	Diffuser Assembly 2"
8	9010126	Stainless Steel Clamp Assembly
9	2011134	O-Ring for Filter Neck