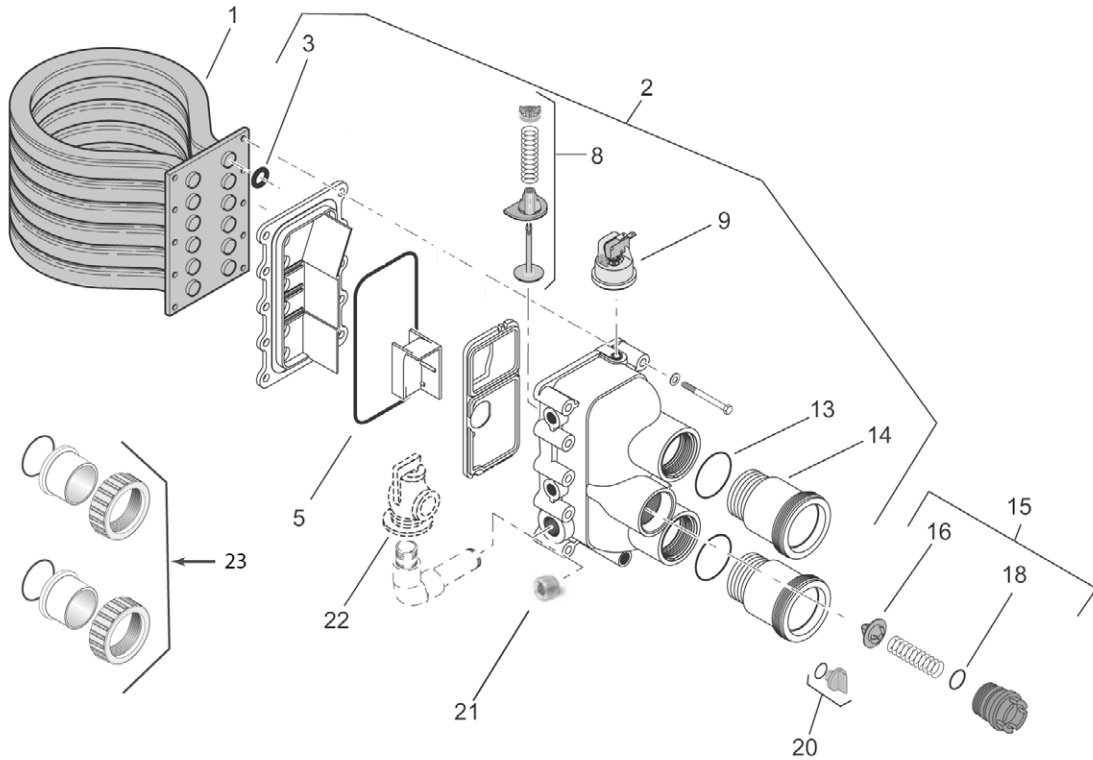


# MASTERTEMP® HEATER

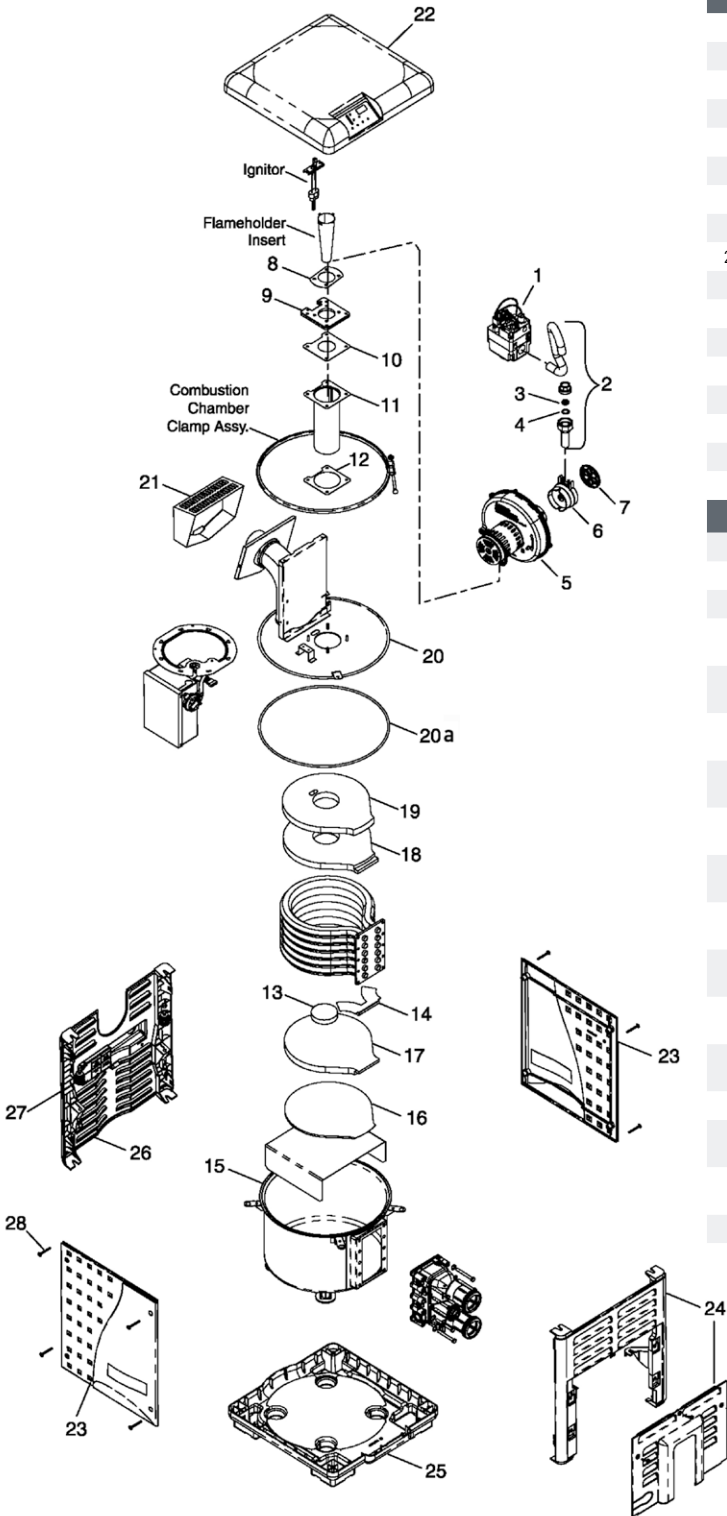
## WATER SYSTEM REPLACEMENT PARTS



Item	Part No.	Description
<b>WATER SYSTEM</b>		
1	77707-0242	TUBESHEET/COIL KIT, Cu-Ni 200HD
1	77707-0243	TUBESHEET/COIL KIT, Cu-Ni 300HD
1	77707-0244	TUBESHEET/COIL KIT, Cu-Ni 400HD
2	77707-0014	Manifold Kit (Includes Item Nos. 3-14, 21, and Item Nos. 5-7 in "Electrical System" Models 200NA, 200LP
2	77707-0015	Manifold Kit (Includes Item Nos. 3-14, 21, and Item Nos. 5-7 in "Electrical System" Models 300NA, 300LP
2	77707-0016	Manifold Kit (Includes Item Nos. 3-14, 21, and Item Nos. 5-7 in "Electrical System" Models 400NA, 400LP
3	77707-0117	Coil/Tubesheet Sealing O-Ring Kit - Models 200NA, 200LP (6)
3	77707-0118	Coil/Tubesheet Sealing O-Ring Kit - Models 300NA, 300LP (10)
3	77707-0119	Coil/Tubesheet Sealing O-Ring Kit - Models 400NA, 400LP (12)
9	42001-0060S	Water Pressure Switch
14	77707-0017	Connector Tube Kit (Includes 1 Connector Tube and 1 O-Ring)
15	77707-0010	Thermal Regulator Kit (Incl. Item Nos.16, 17, 18, 19 and Spring Clip)
16	38000-0007S	Thermal Regulator (Includes Spring Clip)
18	35505-1313	Thermal Regulator Cap O-Ring
20	U178-920P	Drain Plug
22	473715Z	Pressure Relief Valve
23	PKG 188	2 in. Union Adapter Package (Includes 2)
<b>NOT SHOWN</b>		
	77707-0120	O-Ring Kit (Incl. Item Nos. 3, 5)

# MASTERTEMP® HEATER

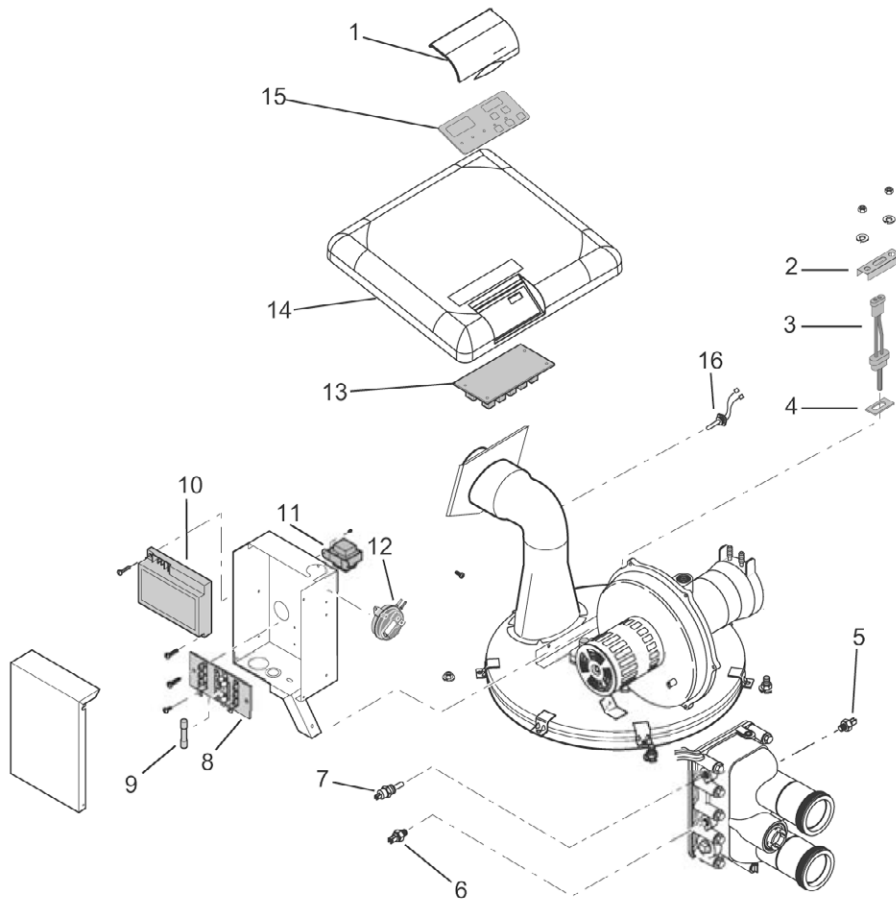
## BURNER SYSTEM REPLACEMENT PARTS



Item	Part No.	Description
<b>BURNER SYSTEM</b>		
1	474133Z	Combination Gas Control Valve Kit
5	474104Z	Air Blower 50Hz
6	474107Z	Air Orifice - Model 200
6	474106Z	Air Orifice - Model 300
6	474105Z	Air Orifice - Model 400
7	42001-0114S	Air Orifice Grill
15	42001-0200S	Metal Chamber/Combustion Chamber Ass'y
20	42001-0214S	Metal Elbow/Combustion Chamber Cover Ass'y
20a	474201	Tub O-Ring Kit
21	42002-0005S	Metal Vent Cover
22	42002-0034Z	Heater Top
23	42002-0039Z	Side Panel (Service Panel) with 4 clips & 4 screws
24	42002-0033Z	Side Panel (Manifold)
25	42002-0031Z	Heater Bottom
26	42002-0032Z	Side Panel (Flue Stack)
27	42002-0041	J Box Cover
28	474292	7ea clips and 3ea screws
<b>NOT SHOWN</b>		
474136		Gas Orifice Kit - NG, Model 200 (Incl. 3 and 4)
474135		Gas Orifice Kit - NG, Model 300 (Incl. 3 and 4)
474134		Gas Orifice Kit - NG, Model 400 (Incl. 3 and 4)
474139		Gas Orifice Kit - Propane, Model 200 (Incl. 3 and 4)
474138		Gas Orifice Kit - Propane, Model 300 (Incl. 3 and 4)
474137		Gas Orifice Kit - Propane, Model 400 (Incl. 3 and 4)
474142		NG to Propane Conversion Kit Model 200 (Incl. 3 and 4)
474141		NG to Propane Conversion Kit Model 300 (Incl. 3 and 4)
474140		NG to Propane Conversion Kit Model 400 (Incl. 3 and 4)
474145		Propane to NG Conversion Kit Model 200 (Incl. 3 and 4)
474144		Propane to NG Conversion Kit Model 300 (Incl. 3 and 4)
474143		Propane to NG Conversion Kit Model 400 (Incl. 3 and 4)
77707-0011		Blower/Adapter Plate Gasket Kit (Incl. 8, 9, 10, 12)
77707-0202		Flameholder Kit - Model 200 (Incl. 10, 11, 12 & 13)
77707-0203		Flameholder Kit - Model 300 (Incl. 10, 11, 12, 13 & Flameholder Insert)
77707-0204		Flameholder Kit - Model 400 (Incl. 10, 11, 12, 13 & Flameholder Insert)
77707-0008		Insulation Kit (Incl. 13, 14, 16, 17, 18, 19)
42001-0214S		Metal Vent Cover Assembly

# MASTERTEMP® HEATER

## ELECTRICAL SYSTEM REPLACEMENT PARTS



Item	Part No.	Description
<b>ELECTRICAL SYSTEM</b>		
1	42002-0035	Heater Display Cover
2	42001-0030S	Igniter Bracket
3	77707-0054	Igniter/Igniter Gasket Kit, Incl. Item Nos. 3 and 4)
4	42001-0066S	Igniter Gasket
5	42002-0025S	Automatic Gas Shutoff Switch (AGS)
6	474171Z	High Limit Switch
7	42001-0053S	Thermistor
8	42001-0056S	Terminal Board
9	32850-0099	Fireman's Switch Fuse (1.25A, 1-1/4 in.)
10	474103Z	Ignition Control Module
11	42001-0107S	Transformer, 115/230V
12	42001-0061S	Air Flow Switch
13	42002-0007S	Control Board Kit (NA, LP Series)
14	42002-0034Z	Heater, Top
15	472610Z	Membrane Pad (NA, LP Series)
16	42002-0024S	Stack Flue Sensor
<b>NOT SHOWN</b>		
	474163Z	Heater Wiring Harness