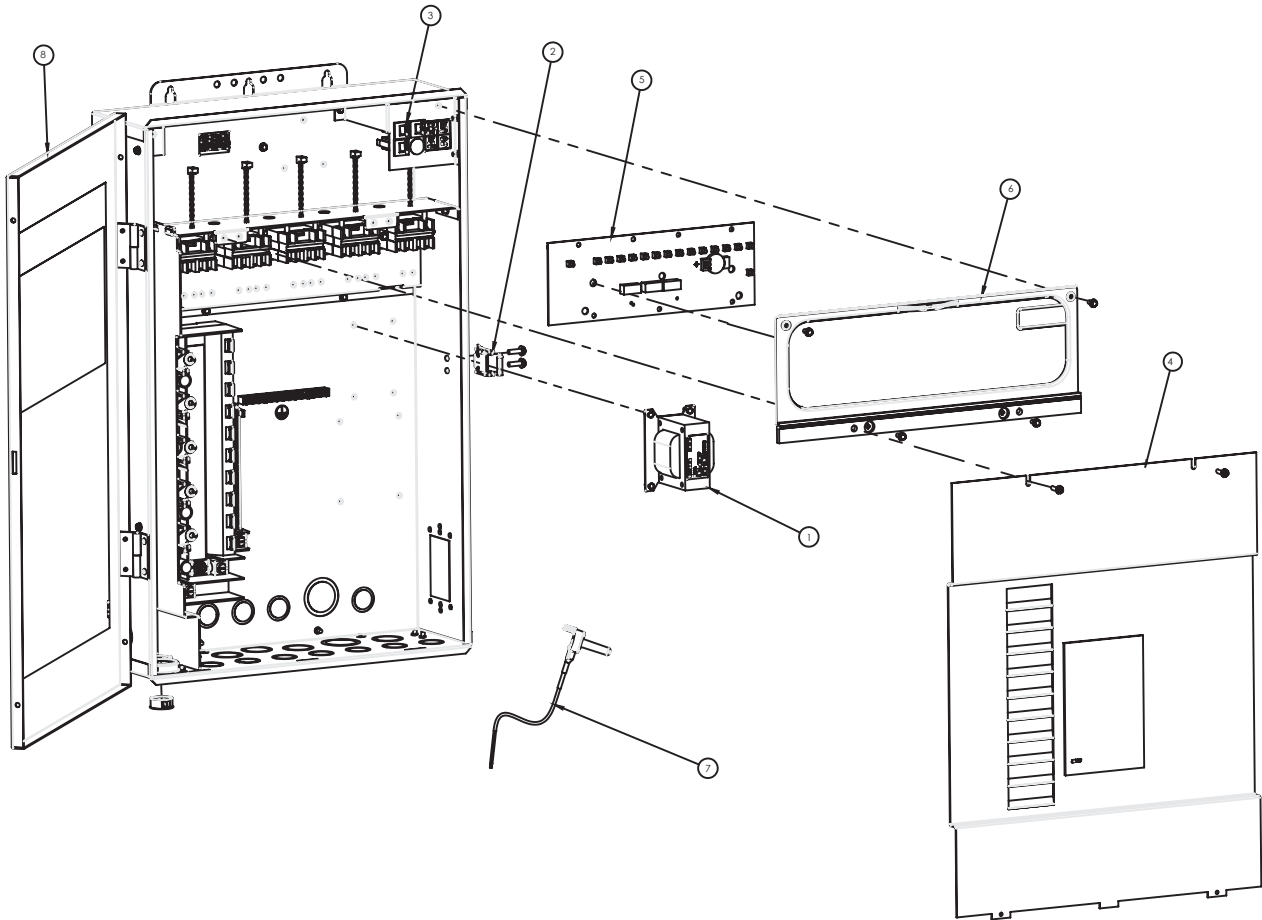


INTELLICENTER

REPLACEMENT PARTS

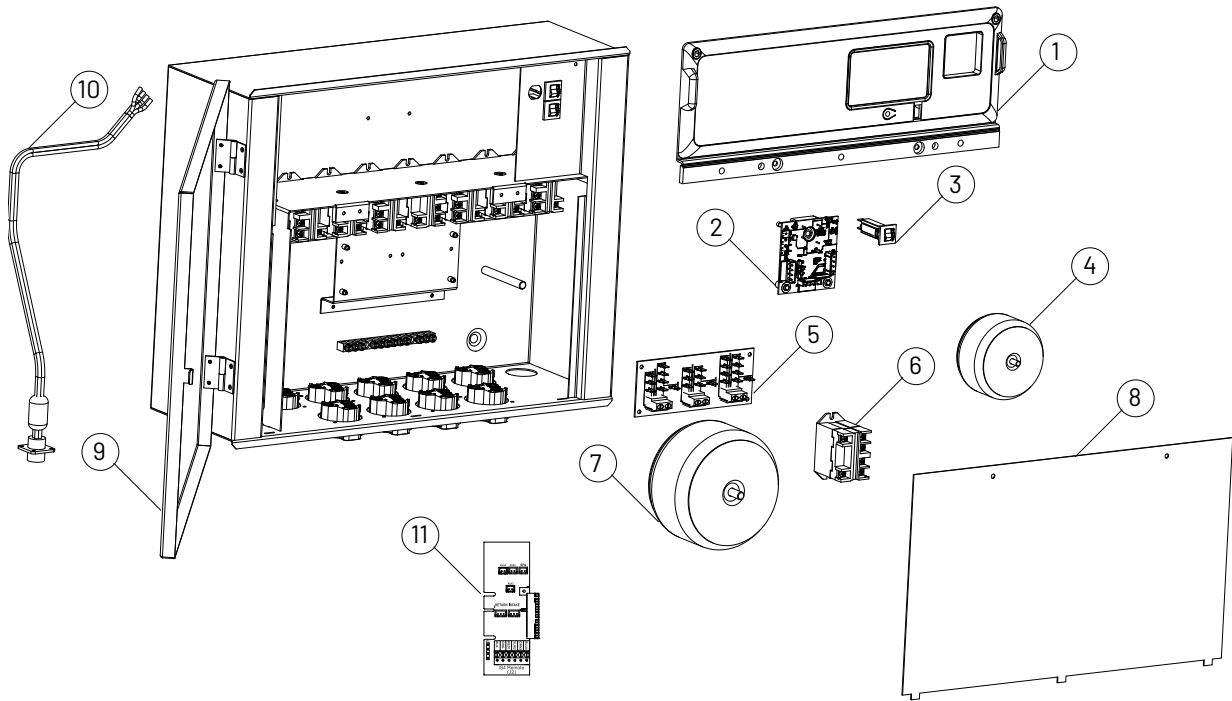


Item	Part No.	Description
NEW INTELLICENTER AUTOMATION REPLACEMENT PARTS		
1	700021	TRANSFORMER INTELLICENTER
3	8520031	REPLACEMENT CIRCUIT BREAKER
5	523050	MOTHER BOARD, UNIVERSAL AND BEZEL
5	521968	CIRCUIT BOARD, i8PS PERSONALITY
5	523029Z	CIRCUIT BOARD, i10D PERSONALITY
5	522997Z	CIRCUIT BOARD, i10X PERSONALITY
6	522004Z	NEW OCP BEZEL
7	520872	TEMPERATURE SENSOR KIT (WATER/AIR + CLAMPS)
7	522101	SOLAR TEMPERATURE SENSOR
NOT SHOWN		
	700022	TRANSFORMER INTELLICHLOR
	520106	RELAY 20A
	8023302	2-PIN SCREW TERMINAL (GAS HEATER)
	8023304	4-PIN SCREW TERMINAL (COM PORT)
	8023306	6-PIN SCREW TERMINAL (iS4 & TEMPERATURE)

Item	Part No.	Description
SPA COMMAND		
	521500	REPLACEMENT PLASTICS KIT
	521502	REPLACEMENT CABLE (250FT)
	521503	SET OF LABELS (WHITE)
	521504	SET OF LABELS (BLACK)
iS4		
	522082	iS4 LABEL SET (NEW STYLE)
	520173	iS4 LABEL SET (OLD STYLE)
WIRELESS REMOTE		
	522056Z	TRANSCEIVER FOR WIRELESS REMOTE
	522054	BATTERY WIRELESS REMOTE INTLICN
ACTUATORS		
	263045	VALVE ACTUATOR 180°
	520010Z	MICROSWITCH KIT
	CVASCRJ	SCREW ACTUATOR PK4

INTELLICENTER PNP

REPLACEMENT PARTS



Item	Part No.	Description
NEW INTELLICENTER AUTOMATION REPLACEMENT PARTS		
1	523050	IntelliCenter Main Board (i5P) and bezel assembly
2	521593	IntelliChlor SCG PCBA
3	8520031	Circuit Breaker 3A
3	521142	Circuit Breaker 12A
4	700011	Transformer Control 18V/24V
5	700166	Power Connection Board
6	523543	High Voltage Relay 20A
7	700036	Transformer IntelliChlor SCG 28V
8	700198B	High Voltage Cover Panel
9	700198C	Enclosure Door
10	19113-AU	IntelliChlor SCG Cable
11	521968	PCB Personality Board i8PS
11	523029	PCB Personality Board i10D

Item	Part No.	Description
NOT SHOWN		
	800175	Mounting Kit (4x screws, 4x plugs)
	520872	Temperature Sensor Kit (air, water and clamp)