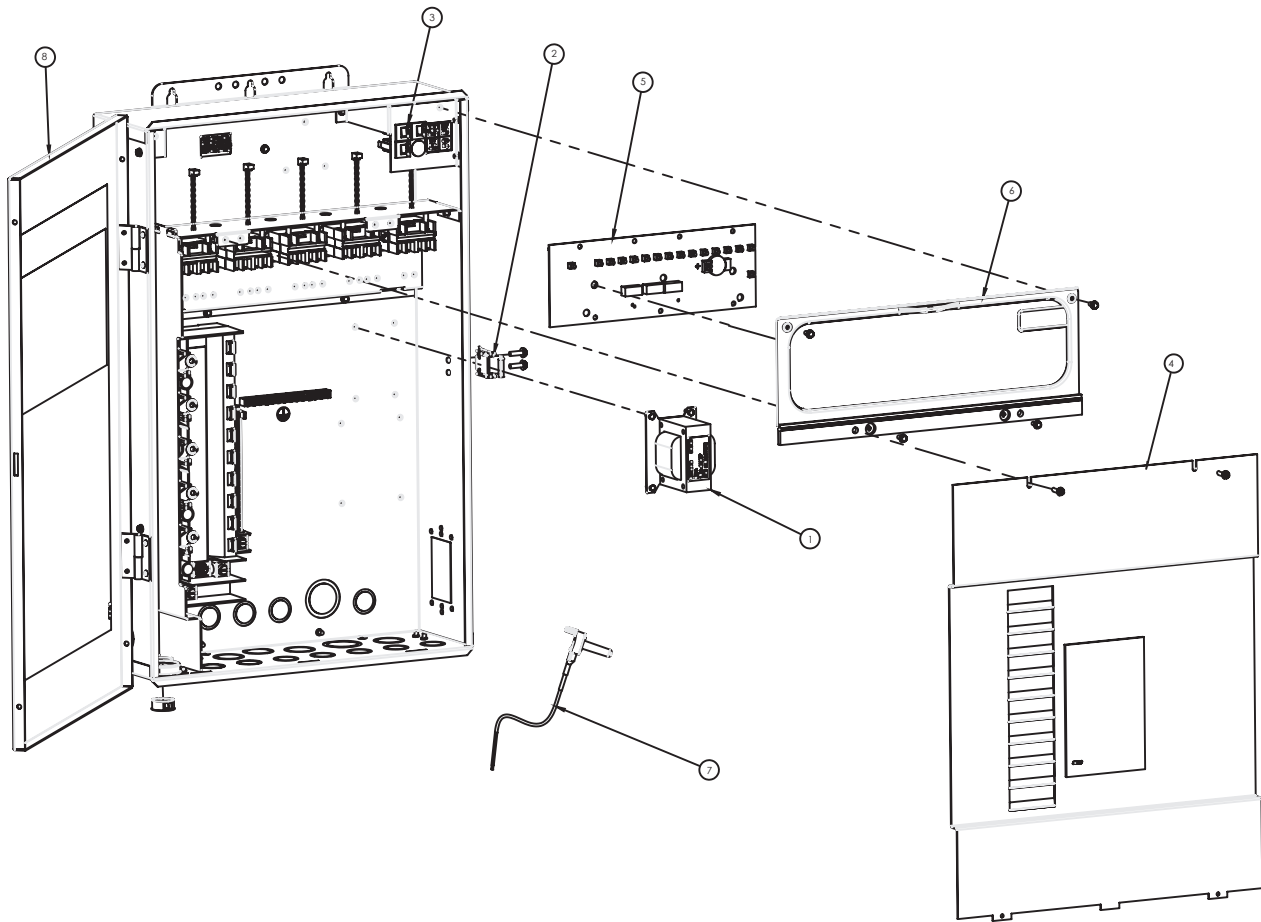


INTELLICENTER

REPLACEMENT PARTS



Item	Part No.	Description
NEW INTELLICENTER AUTOMATION REPLACEMENT PARTS		
1	700021	TRANSFORMER INTELLICENTER
3	8520031	REPLACEMENT CIRCUIT BREAKER
5	523050	MOTHER BOARD, UNIVERSAL AND BEZEL
5	521968	CIRCUIT BOARD, i8PS PERSONALITY
5	523029Z	CIRCUIT BOARD, i10D PERSONALITY
5	522997Z	CIRCUIT BOARD, i10X PERSONALITY
6	522004Z	NEW OCP BEZEL
7	520872	TEMPERATURE SENSOR KIT (WATER/AIR + CLAMPS)
7	522101	SOLAR TEMPERATURE SENSOR
NOT SHOWN		
	700022	TRANSFORMER INTELLICHLOR
	520106	RELAY 20A
	8023302	2-PIN SCREW TERMINAL (GAS HEATER)
	8023304	4-PIN SCREW TERMINAL (COM PORT)
	8023306	6-PIN SCREW TERMINAL (iS4 & TEMPERATURE)

Item	Part No.	Description
SPA COMMAND		
	521500	REPLACEMENT PLASTICS KIT
	521502	REPLACEMENT CABLE (250FT)
	521503	SET OF LABELS (WHITE)
	521504	SET OF LABELS (BLACK)
iS4		
	522082	iS4 LABEL SET (NEW STYLE)
	520173	iS4 LABEL SET (OLD STYLE)
WIRELESS REMOTE		
	522056Z	TRANSCIVER FOR WIRELESS REMOTE
	522054	BATTERY WIRELESS REMOTE INTLICN
ACTUATORS		
	263045	VALVE ACTUATOR 180°
	520010Z	MICROSWITCH KIT
	CVASCRJ	SCREW ACTUATOR PK4