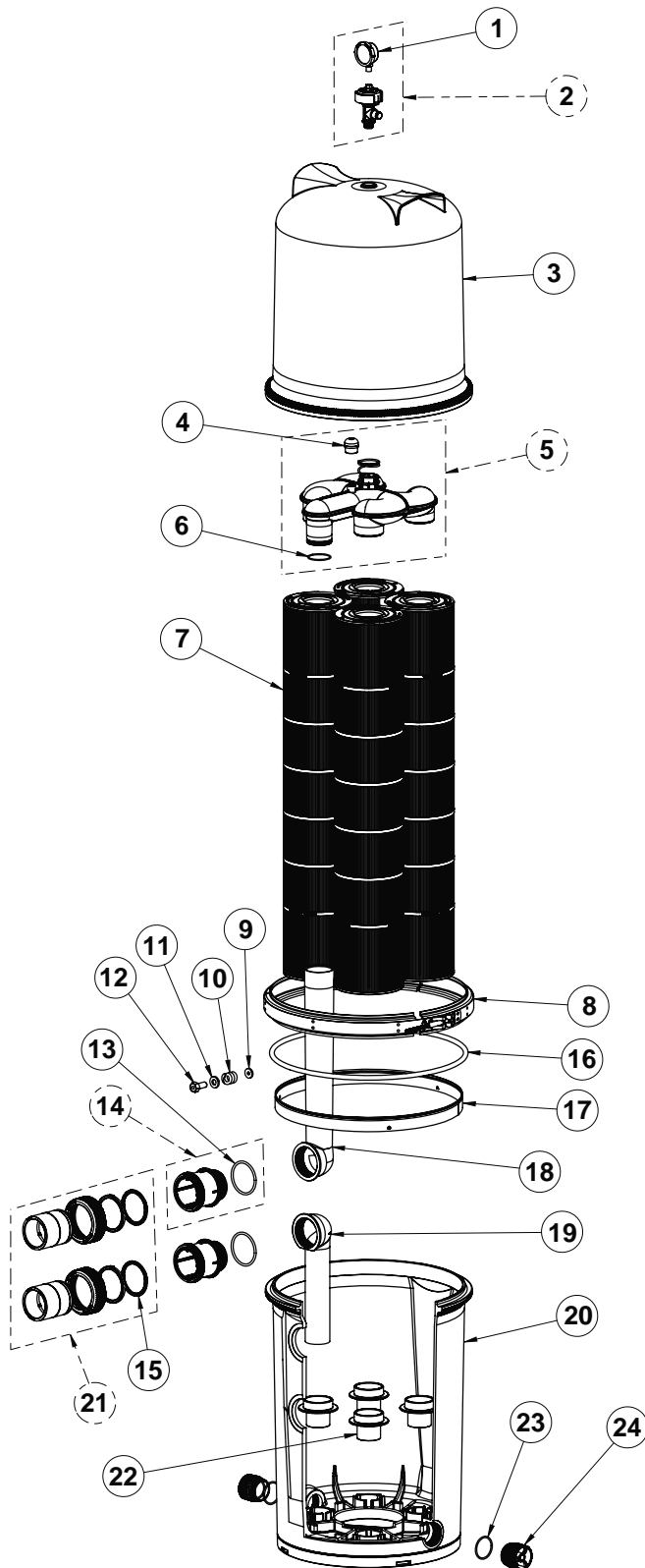


FULLFLO XF CARTRIDGE FILTER

REPLACEMENT PARTS



Item	Part No.	Description
FULLFLO XF FILTERS		
1	190058	Pressure Gauge
2	98209800	Manual Air Relief Valve
3	178810	Tank Lid
4	190106z	Air Bleed Screen Cap
5	178838	Top Manifold Kit
6	192323	O-ring, Manifold
7	170102	Filter Cartridge
8	190003	Clamp Ring Assembly
9	195610	Clamp Washer, Small
10	195612	Clamp Spring
11	195611	Clamp Washer, Large
12	194997	Clamp Barrel Nut
13	R170055	O-ring, Bulkhead
14	178829	Bulkhead Kit
15	410016z	Diamond Seal Kit
16	39010200z	O-ring, Tank
17	195339	Backup Ring
18	178691z	Pipe Outlet
19	198249z	Pipe Inlet
20	178830	Tank Bottom (includes items 14, 17, 18, 19 and 24)
21	410020z	Union Kit
22	178697z	Support Pipe
23	273062	O-ring, Drain
24	178816	Drain Plug
NOT SHOWN		
	178840	Anchor Clamp Kit